

Door Beam, Remove and Install

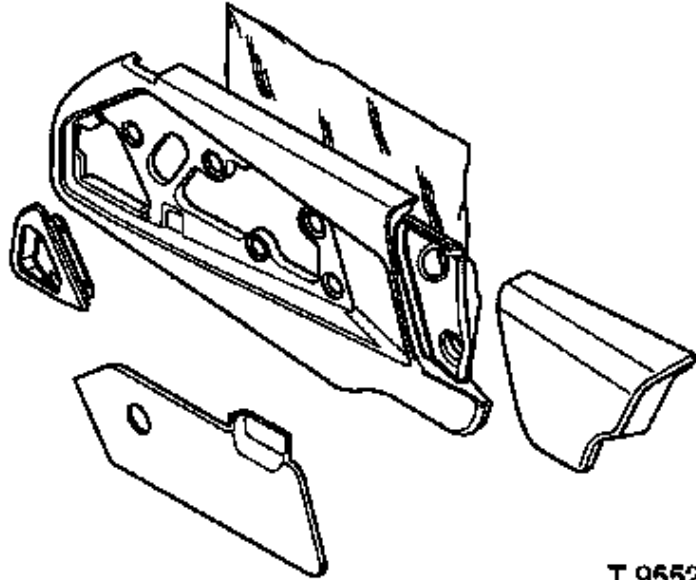


Remove

Front clamshell – see operation "Front Clamshell, Remove and Install".

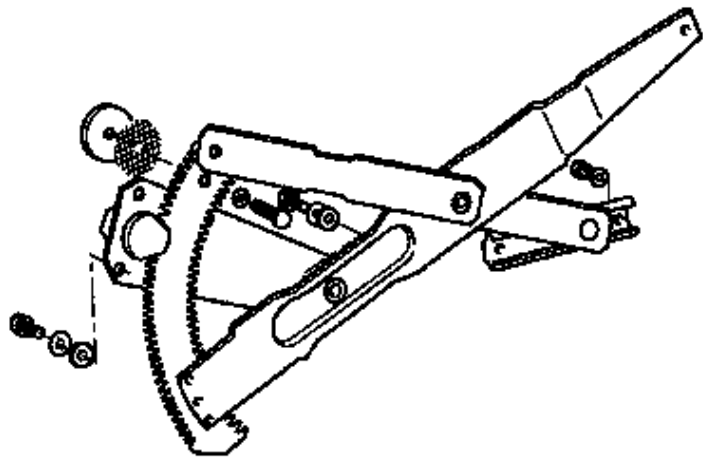
Door – see operation "Door, Remove and Install".

Door trim – see operation "Door Trim, Remove and Install" in group C.



T 9552

Window regulator mechanism – see operation "Window Regulator Mechanism, Remove and Install" in group C.

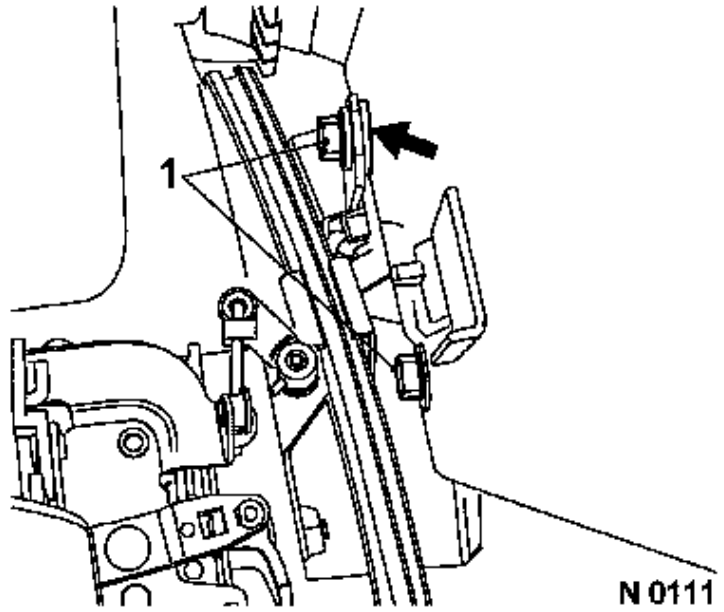


T 9554



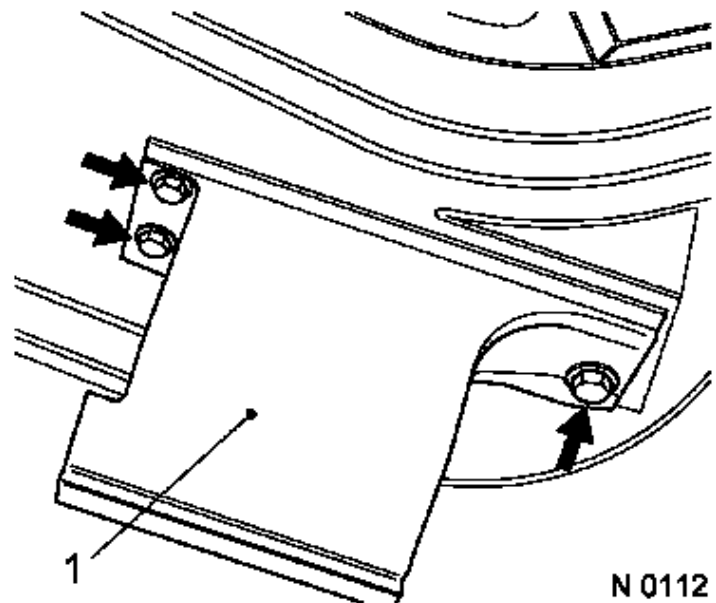
Remove

Attachment of door to rear of door beam – 2 screws (1); completely close door window in order to gain access to screws (1); note number of washers (arrowed).



Attachment of door to front of door beam – 3 screws (arrowed); carefully pull door beam (1) from door.

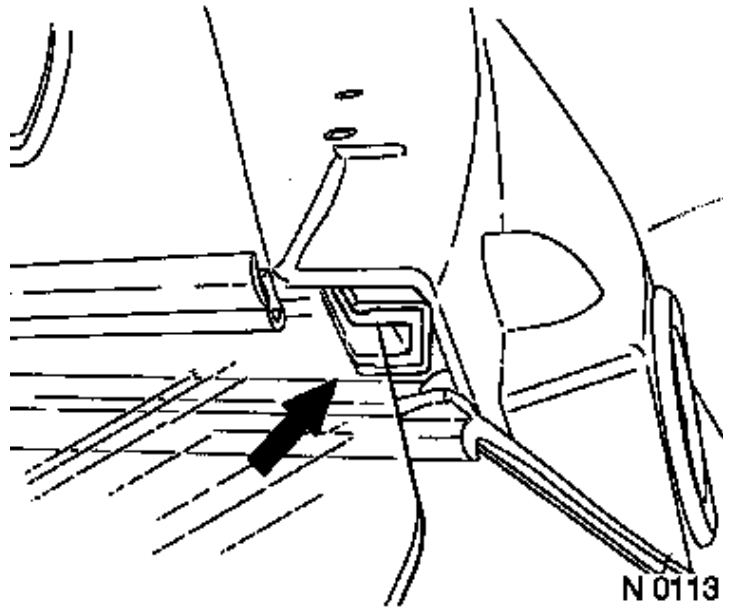
Important: Do not scratch window!



Carefully attach door beam to door and position correctly.

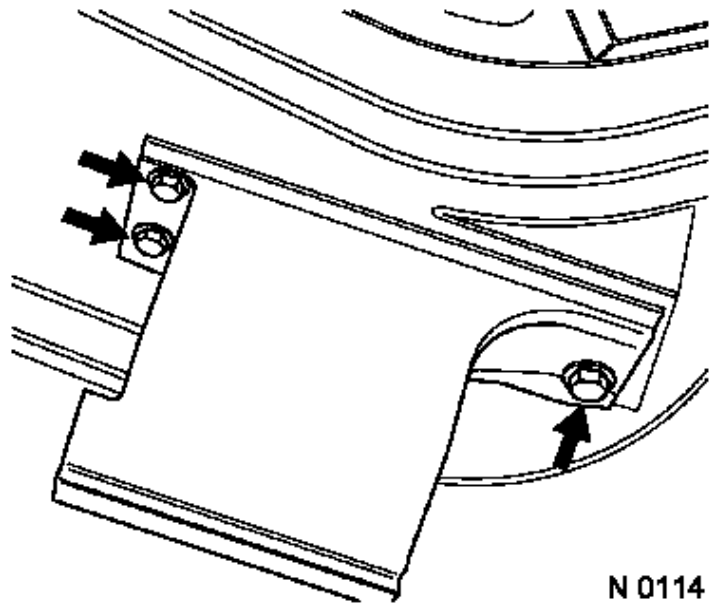
Window into front and rear guide rails (arrowed).

Important: Do not scratch window!



Install

Attachment of door to front of door beam – 3 screws (arrowed).



Measure

Distance X from rear guide rail to outer edge of door (door seal bearing surface).



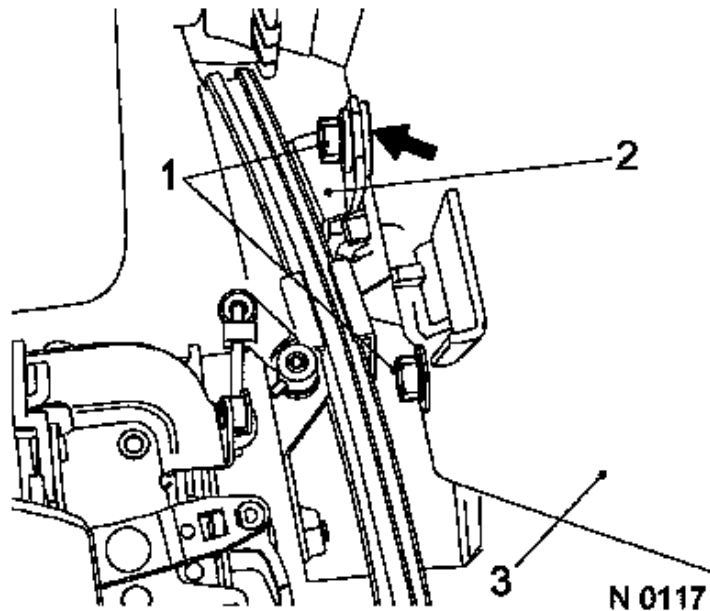
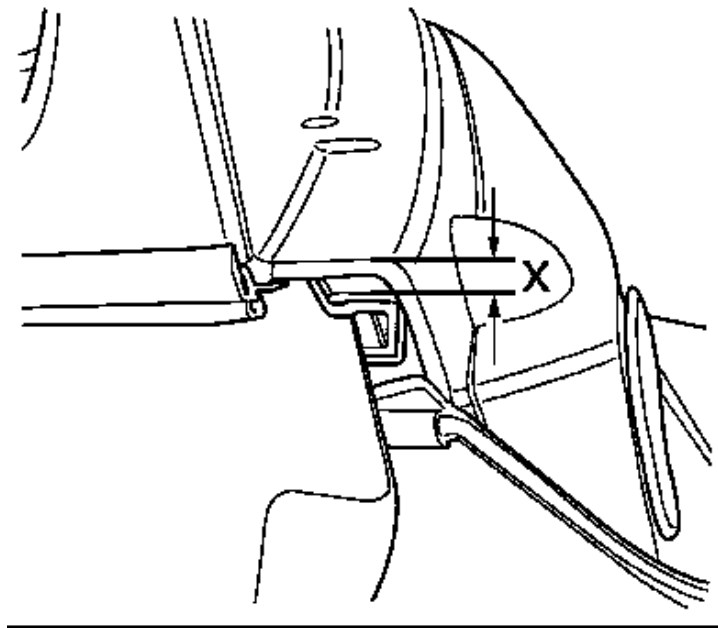
Adjust

Use washers (arrowed) to adjust distance X between door beam (3) and rear guide rail bracket (2).



Install

Attachment of door to rear of door beam – 2 screws (1).



Window regulator mechanism – see operation "Window Regulator Mechanism, Remove and Install" in group C.

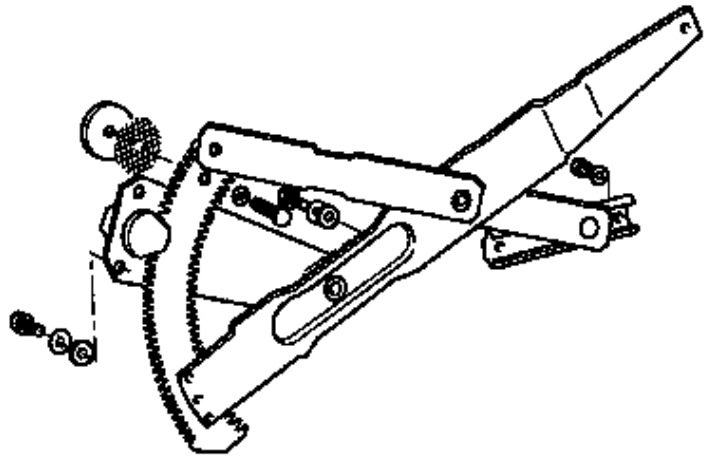
Door to door hinge – see operation "Door, Remove and Install".



Adjust

Door – see operation "Door, Remove and Install".

Door window – see operation "Door Window, Remove and Install" in group C.



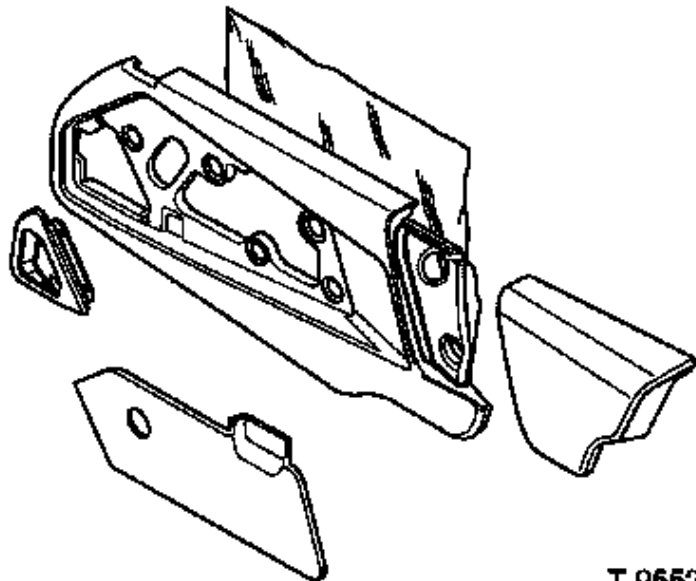
T 9554



Install

Door trim – see operation "Door Trim, Remove and Install" in group C.

Front clamshell – see operation "Front Clamshell, Remove and Install".



T 9552